

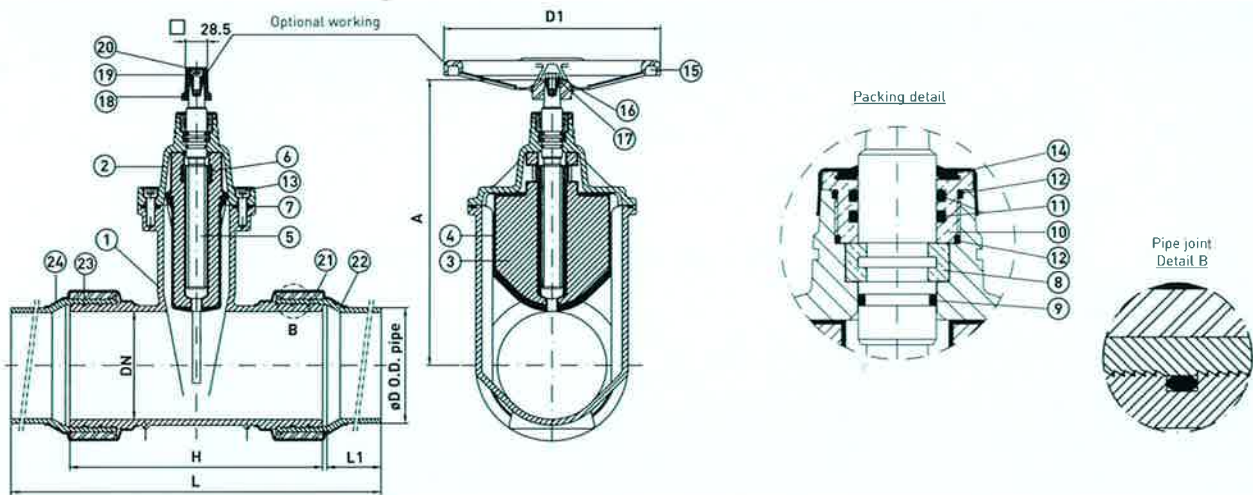
BV-05-47

Soft Sealing Gate Valve Welding Polyethylene Ends



Item	Name	No. Pieces	Material	Standard
1	Body	1	EN-GJS-500-7 (GGG-50)	EN 1563
2	Bonnet	1	EN-GJS-500-7 (GGG-50)	EN 1563
3	Wedge	1	EN-GJS-500-7 (GGG-50)	EN 1563
4	Wedge coating	1	EPDM/NBR	EN 681-1/EN 682
5	Stem	1	X20 Cr13	EN 10088
6	Wedge lock nut	1	Copper Alloy	EN 12165
7	Body bonnet gasket	1	EPDM/NBR	EN 681-1/EN 682
8	Fix washer	1	Copper Alloy	EN 12165
9	O-ring (stem)	1	EPDM/NBR	EN 681-1/EN 682
10	Stuffing nut	1	Copper Alloy	EN 12165
11	O-ring (stuffing nut)	2	NBR	ASTM D2000
12	O-ring (s. nut / bonnet)	2	NBR	ASTM D2000
13	Body bonnet bolt	acc./DN	8.8 steel (GEOMET coated)	DIN 912
14	Dust guard	1	EPDM	
15	Handwheel	1	Stamped steel	
16	Handwheel bolt	1	X5 CrNi 18 10	EN 10088
17	Handwheel washer	1	X5 CrNi 18 10	EN 10088
18	Square cap	1	EN-GJS-500-7 (GGG-50)	EN 1563
19	Square cap bolt	1	X5 CrNi 18 10	EN 10088
20	Square cap top	1	Lupolen	
21	Pressure gasket	2	F-1141	UNE 36011
22	Pipe	2	Polyethylene	
23	Watertightness o-ring	4	EPDM/NBR	ASTM D2000
24	Retractable pipe for protection	2	Polimer	

PN-10/16 Ø PIPE (O.D.) 63/250 DN-50/200



DN	O.D. pipe	L	L1	H	A	D1	No. turns for closing
50	63	744	240	250	202.5	125	12.5
65	75	760	240	270	233	150	13
80	90	770	240	280	268	175	16
100	110	790	240	300	310	200	20
100	125	790	240	300	310	200	20
125	140	816	240	325	357.5	250	25
150	160	840	240	350	398.5	300	30
150	180	840	240	350	398.5	300	30
200	200	990	290	400	488.5	350	33
200	225	990	290	400	488.5	350	33
200	250	990	290	400	488.5	350	33

Polyethylene pipe:

- Water: PE100,
- Gas: PE80 or PE100.